

PLEASE PROOF ALL ARTWORK CAREFULLY!

Cleggpromo is not responsible or liable for any art errors once layout and design have been approved by your company. The enclosed artwork supersedes any prior artwork or layout from a virtual design or emailed proof.

Overall Dimensions:

8¼" x 6¼"

Case Imprint Area:

1.9" x 1.6"

Drone Imprint Area:

½" x ½"

Controller Imprint Area:

0.9" x 0.62"

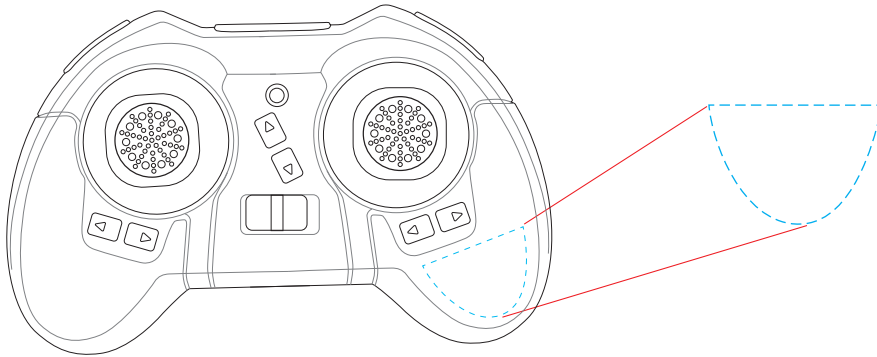
Mini Quadcopter Drone 4.1 425055

6700000

00.00.00

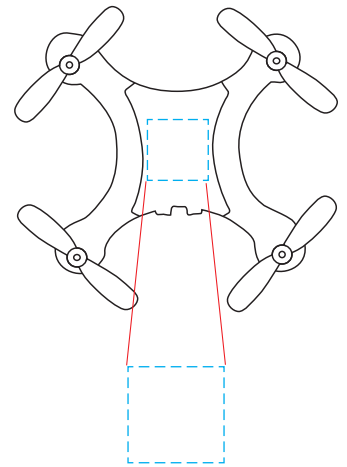
Final Fieri

*imprint on Controller



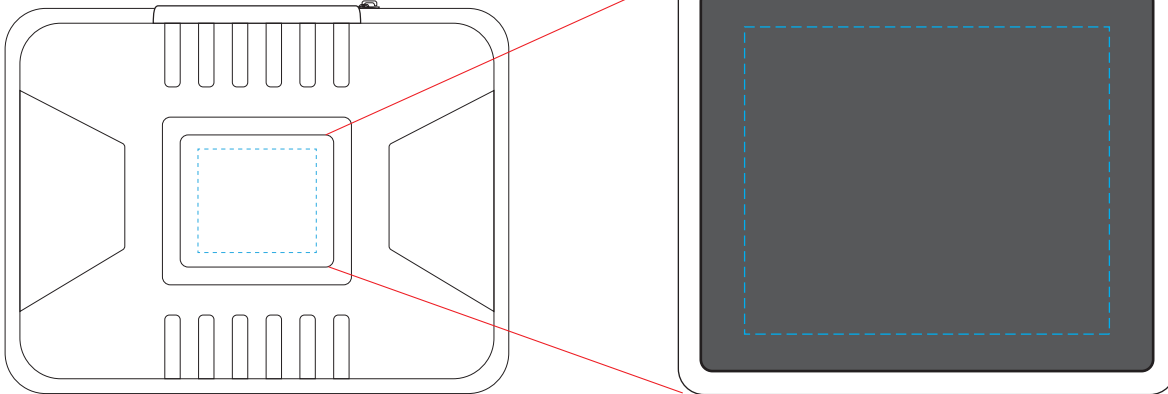
Controller Imprint Color:

*imprint on Drone



Drone Imprint Color:

*imprint on Case



*case and controller not shown actual size

Case Plate Imprint Color:

- all type should be outlined or converted to curves -
- regular type smaller than 5 points or reversed, serif, and italic types smaller than 7 points may fill in -
- all lines must be thicker than 0.5 points to print, and all gaps must be wider than 0.75 points or they may fill in -
- registered/trade marks may fill in unless they are enlarged to print clearly -
- this proof shows approximate product/imprint color appearance only due to variance in computer monitors and printing materials -
- dashed cyan line shows imprint area only and will not print -